

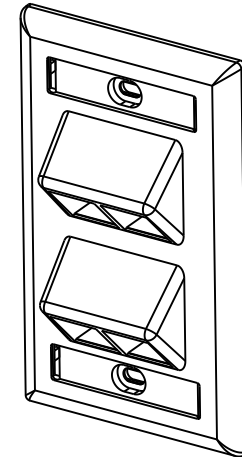
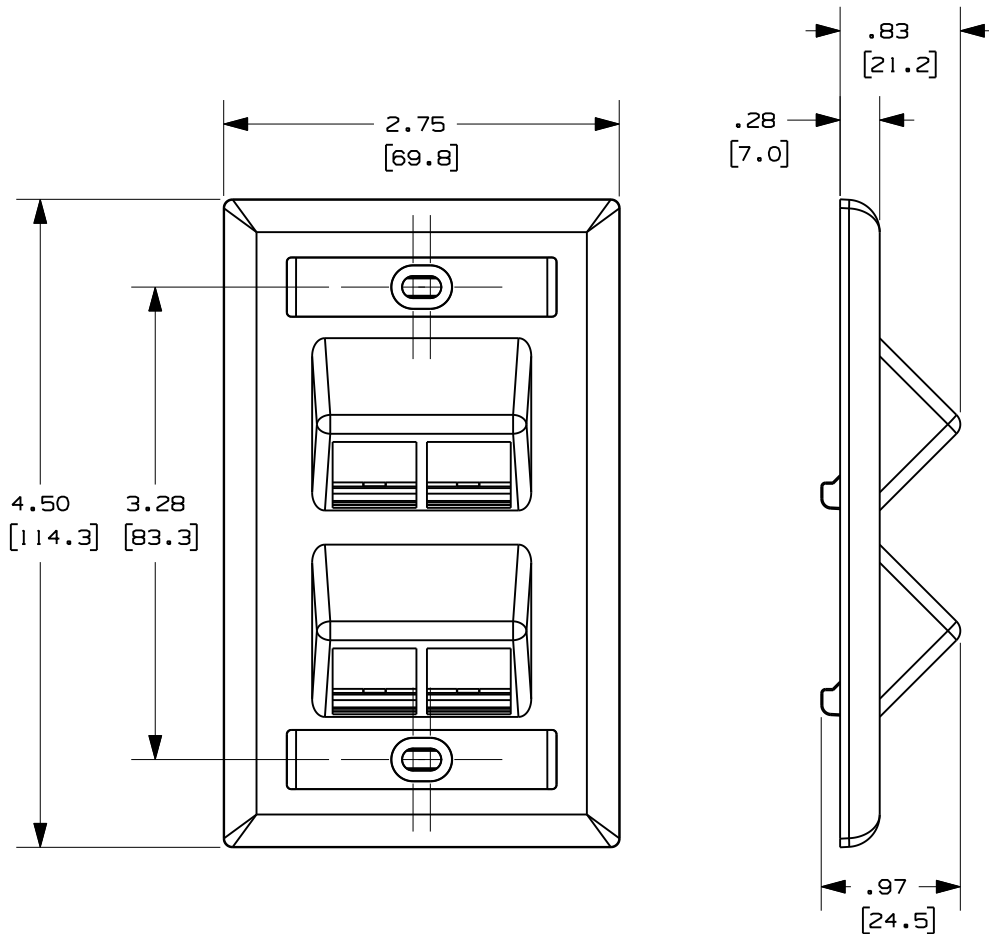
THIS COPY IS PROVIDED ON A RESTRICTED BASIS AND IS NOT TO BE USED IN ANY WAY DETRIMENTAL TO THE INTERESTS OF PANDUIT CORP.

PANDUIT P/N	WEIGHT
NK4VSF**	.58 LB/10 PCS (262 g/10 PCS)



NOTES:

1. SEE CURRENT CATALOG FOR ADDITIONAL PART SUFFIXES TO INDICATE COLOR AND OR PACKAGE QUANTITY.
2. FACEPLATE WILL ACCEPT FOUR NETKEY™ MODULES.
3. PART INCLUDES:
1- FACEPLATE
2- MOUNTING SCREWS
2- LABELS
2- LABEL COVERS
4. DIMENSIONS IN PARENTHESES ARE IN METRIC.



MODEL FILENAME	09M110DA/07B	SIZE	A
DRAWING FILENAME	09M110DA_DC02/07B		
NETKEY™ 4 PORT VERTICAL SLOPED FACEPLATE WITH LABELS CUSTOMER DRAWING			
	PANDUIT® CORP. TINLEY PARK, IL 60477	I.I. NUMBER	N/A
ALL DIMENSIONS ARE GIVEN IN INCHES, UNLESS OTHERWISE SPECIFIED. DIMENSIONAL TOLERANCES ARE: (.X) ±.03 (.XXX) ±.005 (.XX) ±.01 ANGLES ± 1°		PRODUCT SPEC	N/A
		WORK INSTRUCTION	N/A
DRAWN BY	MDJr	SCALE	NONE
DATE	3-03-11	PART NO.	NK4VSF**
CHK'D		DRAWING NO.	09M110DA-02

REV	DATE	BY	CHK	DESCRIPTION	ECN	R	CUST	SUP	OTH
2	7-12-11	MDJr	MBVE	D. RELEASED DRAWING FOR APPROVAL. C. REVISED WEIGHT. B. REVISED TITLE FOR ERROR.	09M110DA-02				
1	5-19-11	MDJr		A. UPDATED MODEL TO REV. 07.	09M110DA-02				
R	3-03-11	MDJr		RELEASED TO PRODUCTION	09M110DA-02				

X-ON Electronics

Largest Supplier of Electrical and Electronic Components

Click to view similar products for [Wire Labels & Markers](#) category:

Click to view products by [Panduit](#) manufacturer:

Other Similar products are found below :

[89078GBEST](#) [89080GBEPR](#) [89080GBEST](#) [89082GBESR](#) [89082GBEST](#) [89083GBEPR](#) [5761-2SF](#) [58400](#) [586R734H02](#) [004579-0000](#)
[600L2R2BTRB](#) [600S150JTDRB](#) [CRS-CM5M](#) [CRS-M18M](#) [CS1836-000](#) [CS8626-000](#) [63854-2-CUT-TAPE](#) [663090-000](#) [CU6343-000](#)
[6806810001](#) [CZ2857-000](#) [6V1J0](#) [700668-0073](#) [70D1-18-06-1-C](#) [7-1768041-1](#) [739253-000](#) [F20827-000](#) [F24597-000](#) [750-1412](#) [7540](#)
[F83400-000](#) [7949](#) [FE-41164](#) [80870017432](#) [80870017741](#) [8-1768412-3](#) [MLPV406](#) [85044GBEPR](#) [FR10975N0050J01](#) [FST-2.8A](#) [8876569-2](#)
[PG-UP0651S-01](#) [9167570001](#) [G550068-2](#) [G550068-4](#) [PM-1007-2](#) [967563-1](#) [GPS-TMG-MNT](#) [1-1659607-0](#) [9968190001](#)